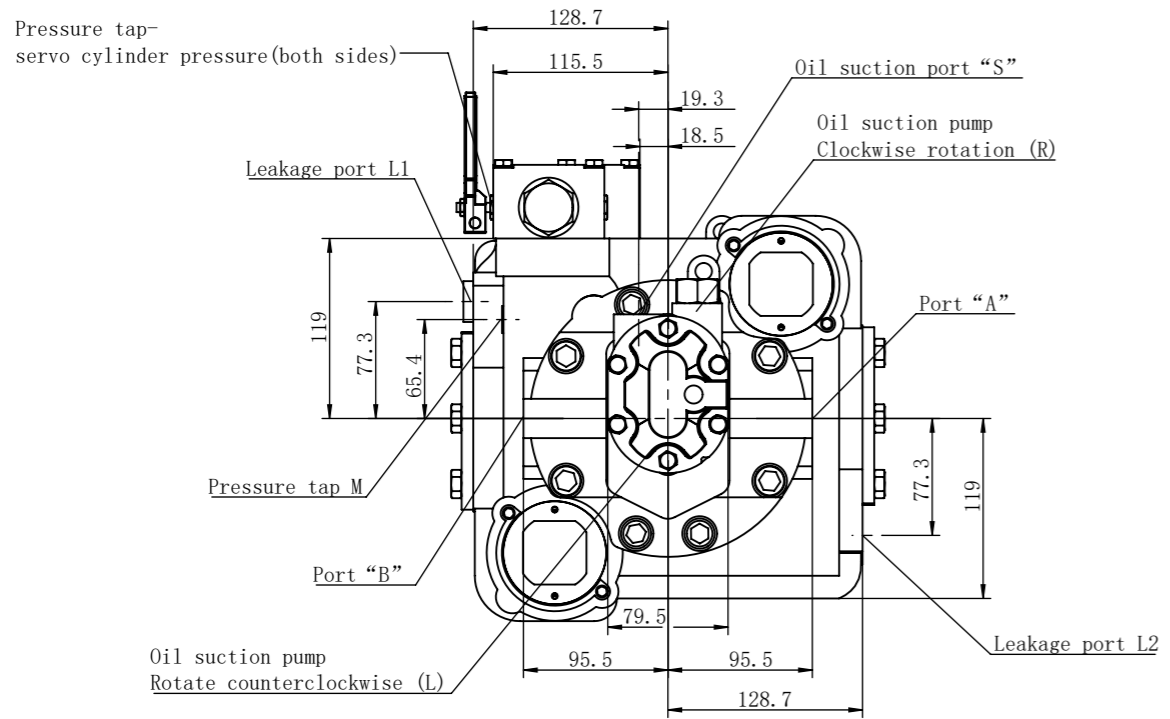
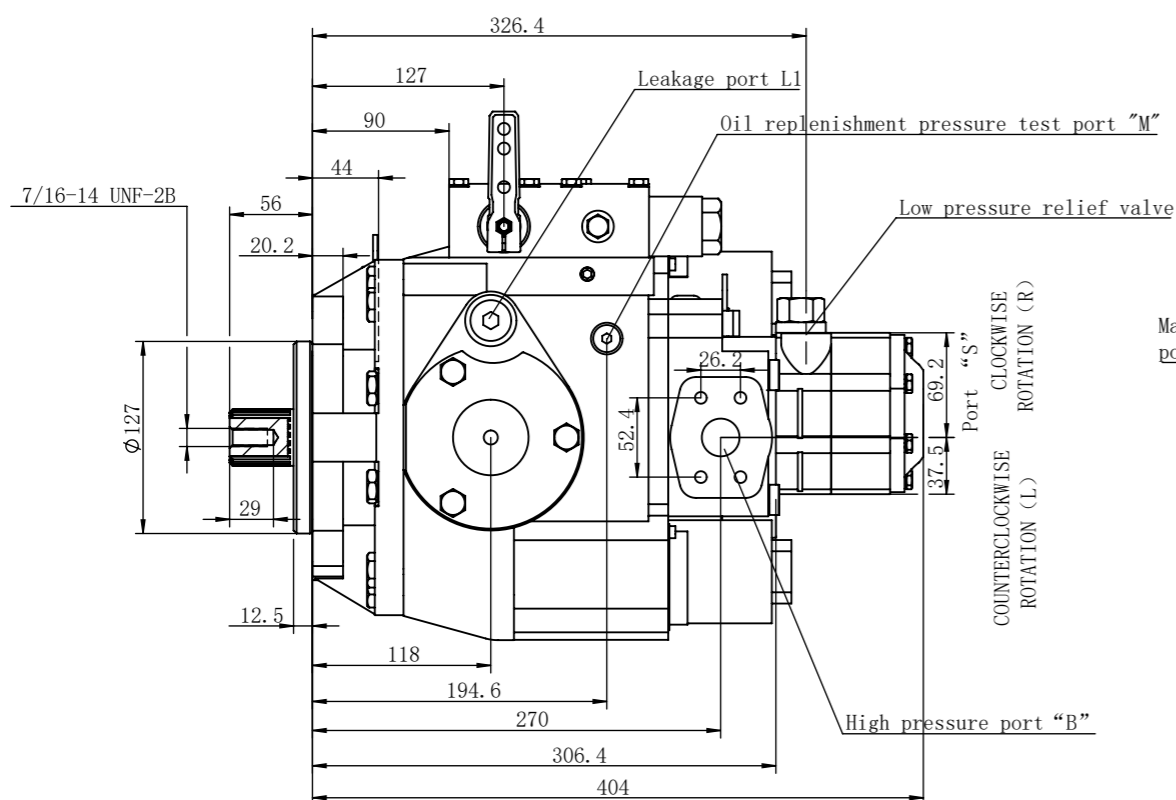
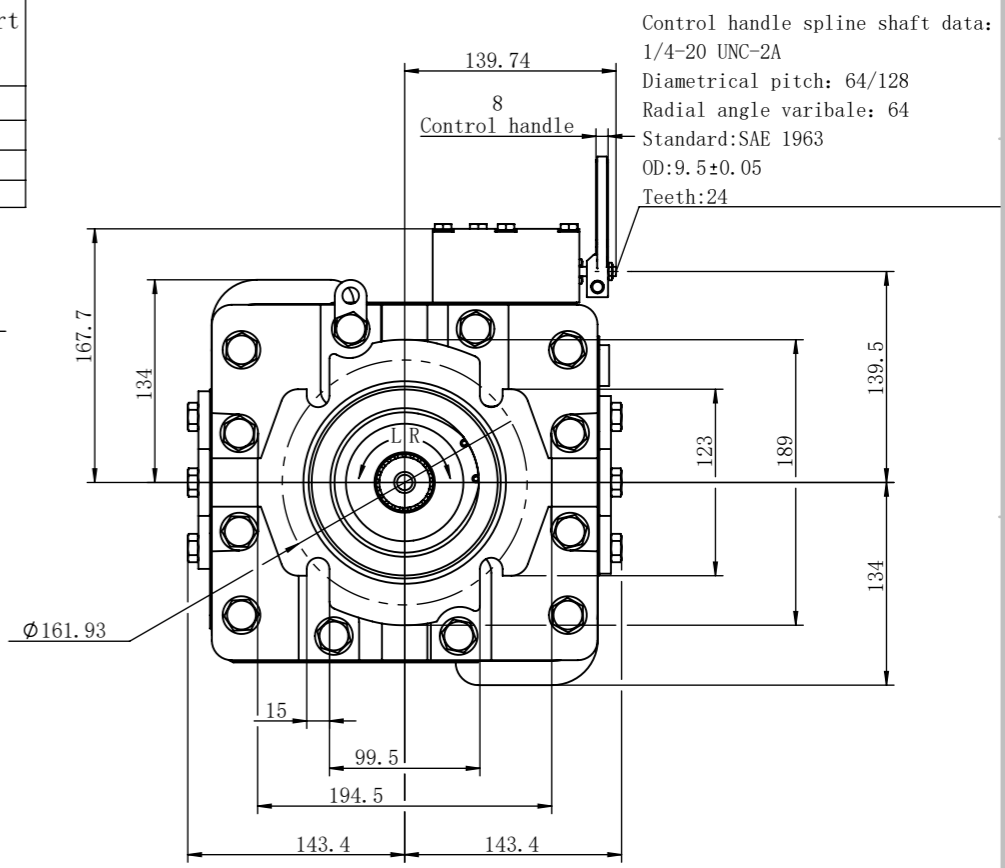
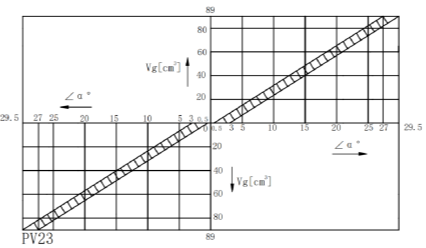
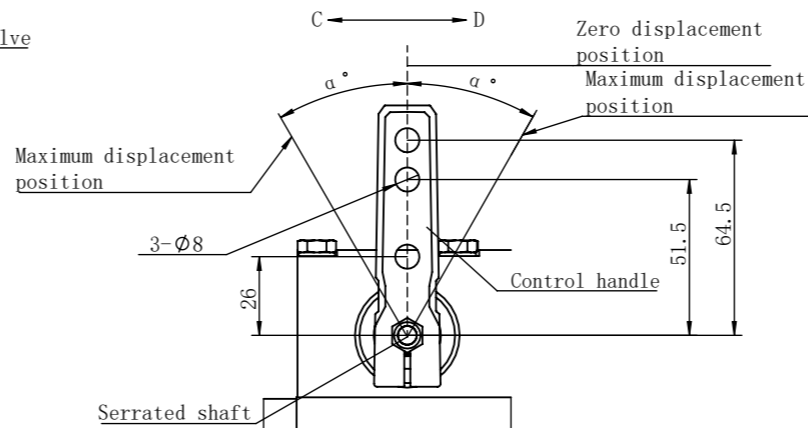
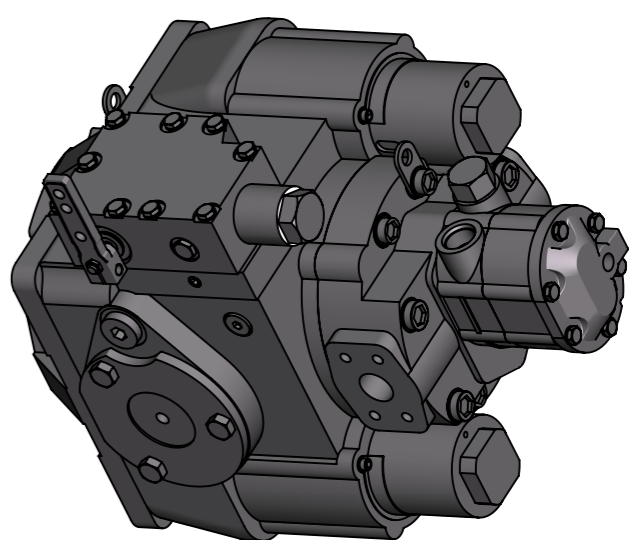


PV23-MA-R-23

Pump rotation direction	Control handle Rotation direction	Pressure port Outbound	Pressure port enter
Clockwise (R)	C	A	B
	D	B	A
Counterclockwise (L)	C	B	A
	D	A	B



EP	Electric Proportional servo control	
HS	Hydraulic servo control	



technical requirement	
Minimum speed	500r/min
maximum speed	2700r/min
Rated working pressure	30Mpa
Maximum working pressure	42Mpa

Propeller shaft spline				Conical axis		Displacement	Oil suction pressure	Oil suction displacement	Ports A、B		Ports L1、L2	Port S	Port M
Teeth	Z	21	23	Lock nut	1-20 UNEF-2B wrench: 38				89 ml/r	1.5-1.8 Mpa			
Radial pitch	M	16/32	16/32						3/8-16 UNC-2B	Depth: 25mm			
Pressure angle	a	30°	30°						52.4	26.2	7/8-14 UNF-2B	7/16-20 UNF-2B	
Dividing circle diameter	D	Ø33.34	Ø36.5										

	Product model		PV23-MA-R-23	
	Product name		Closed axial piston pump	
	Date	Weight (kg)	Proportion	Shangdong Highland Hydraulic Seiko Co., Ltd
		79	1:5	