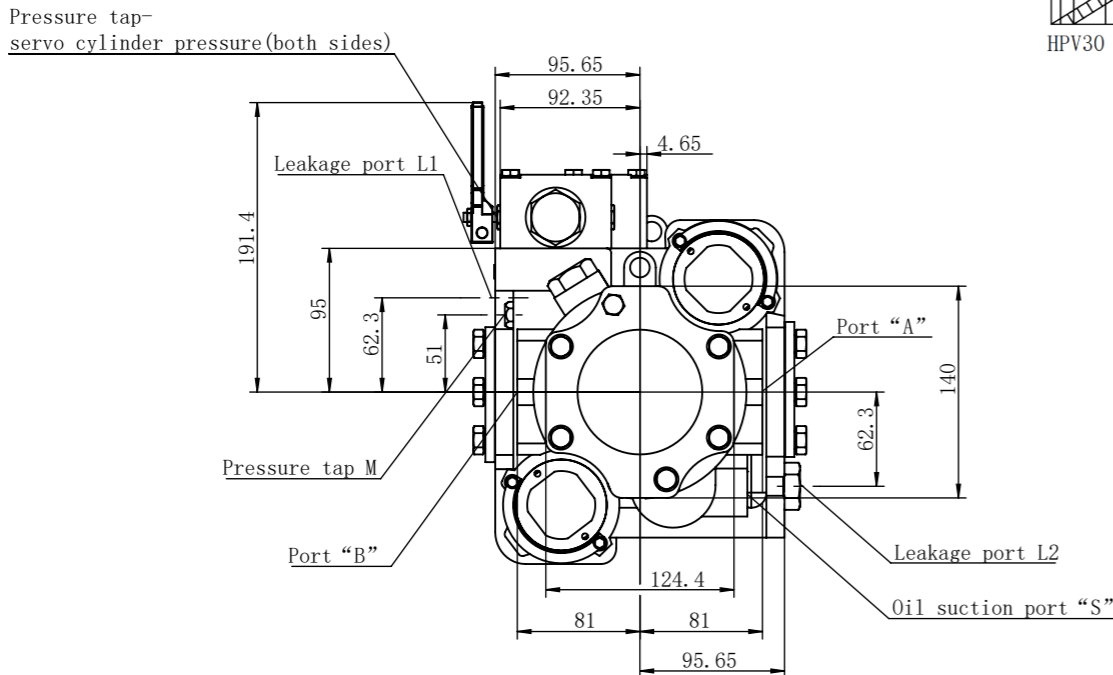
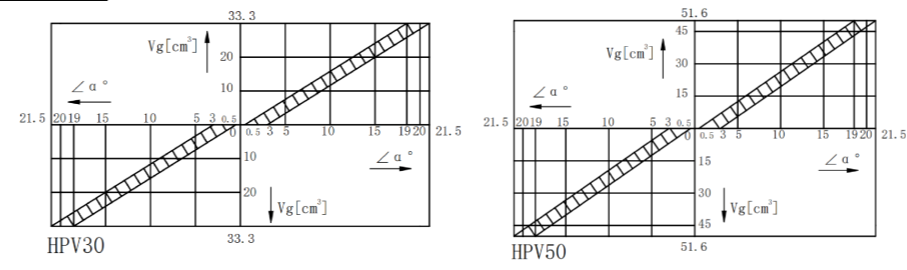
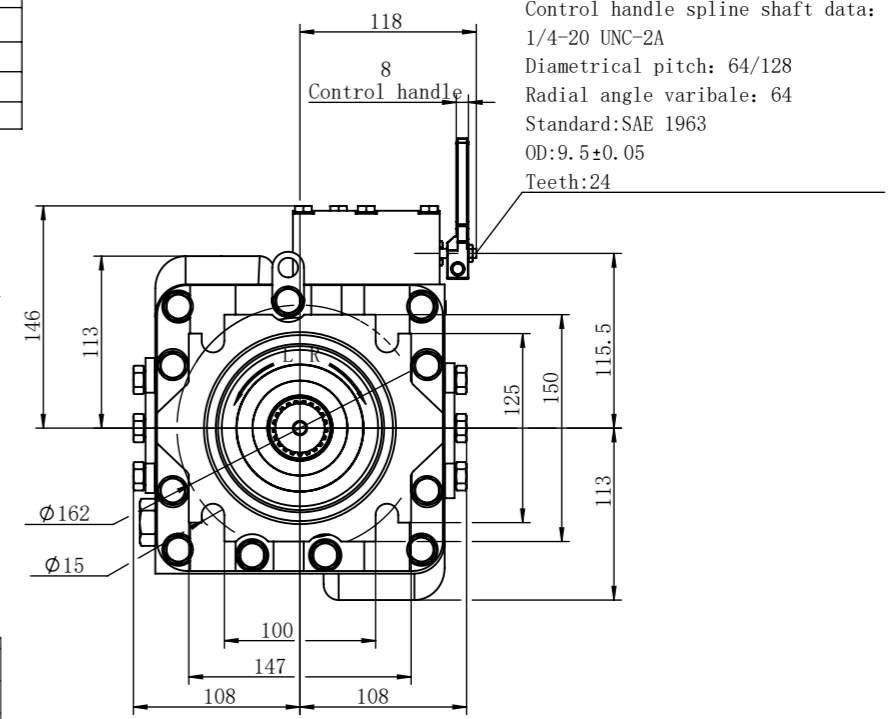
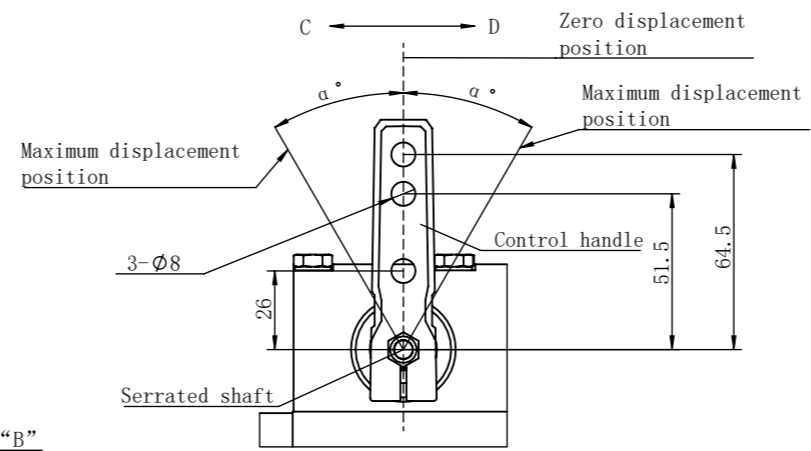
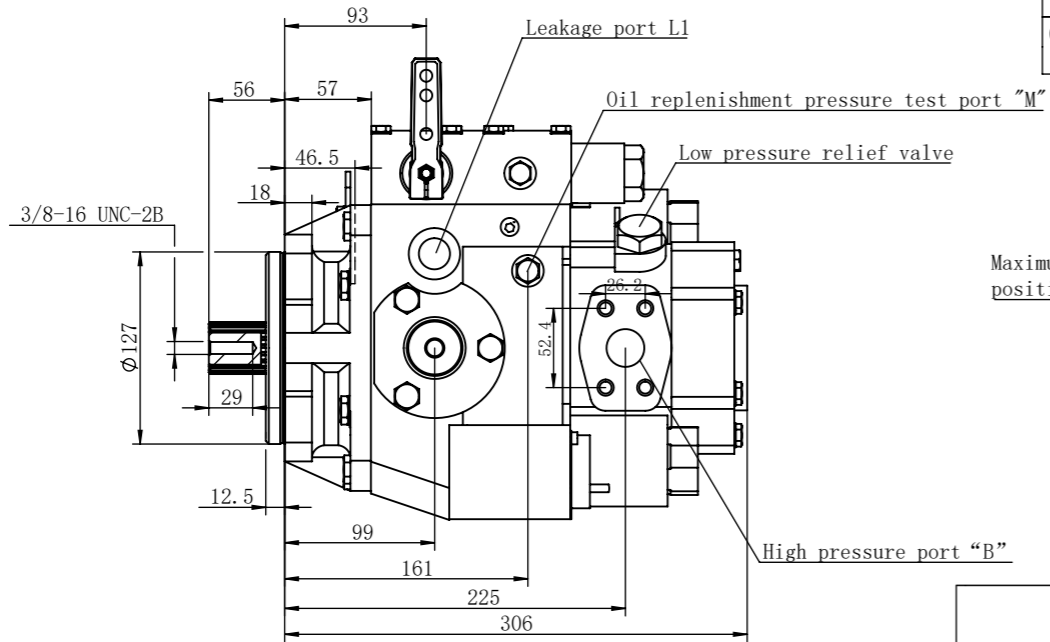
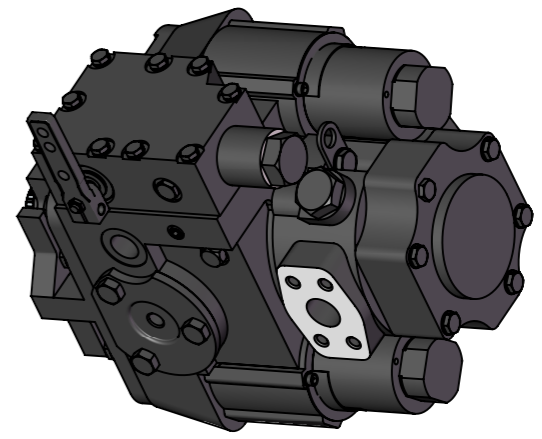


HPV30/50-MA-R/L-21

Pump rotation direction	Control handle Rotation direction	Pressure port Outbound	Pressure port enter
Clockwise (R)	C	A	B
	D	B	A
Counterclockwise (L)	C	B	A
	D	A	B



EP	Electric Proportional servo control	
HS	Hydraulic servo control	



technical requirement	
Minimum speed	500r/min
maximum speed	3500r/min
Rated working pressure	30Mpa
Maximum working pressure	42Mpa

Propeller shaft spline			Displacement	Oil suction pressure	Oil suction displacement	Ports A、B		Ports L1、L2	Port S	Port M
Teeth	Z	21	30/50 ml/r	1.6-1.8 Mpa	12	3/8-16 UNC-2B Depth: 25mm		7/8-14 UNF-2B	7/16-20 UNF-2B	
Radial pitch	M	16/32				A6 mm[in]	A7 mm[in]			
Pressure angle	a	30°				52.4	26.2			
Dividing circle diameter	D	∅33.34								

	Product model		HPV30/50-MA-R/L-21
	Product name		Closed axial piston pump
Date	Weight (kg)	Proportion	Shandong Highland Hydraulic Seiko Co., Ltd
	46	1:5	