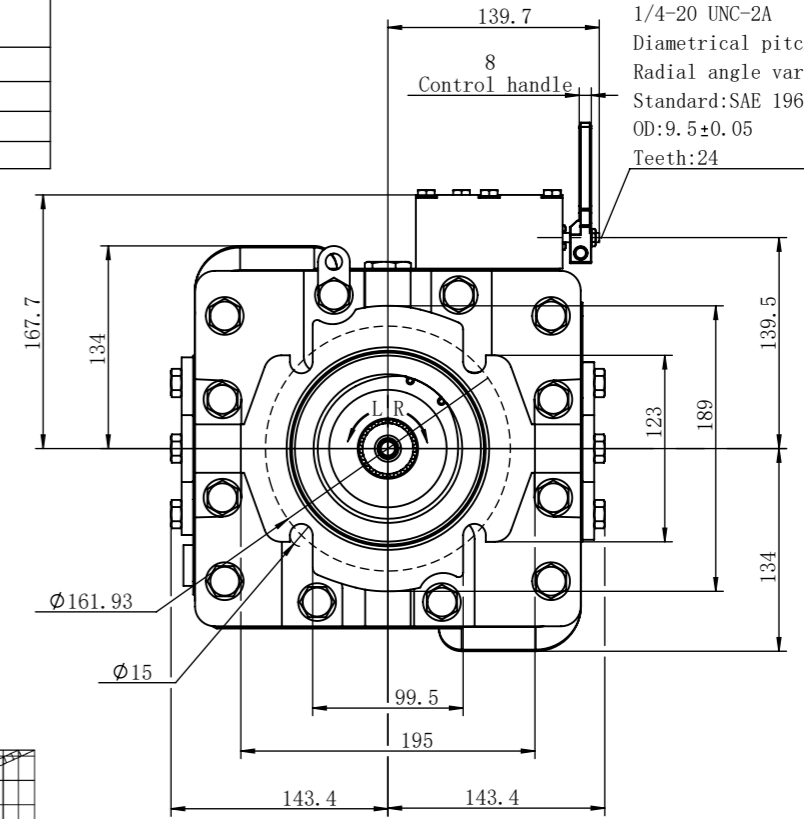
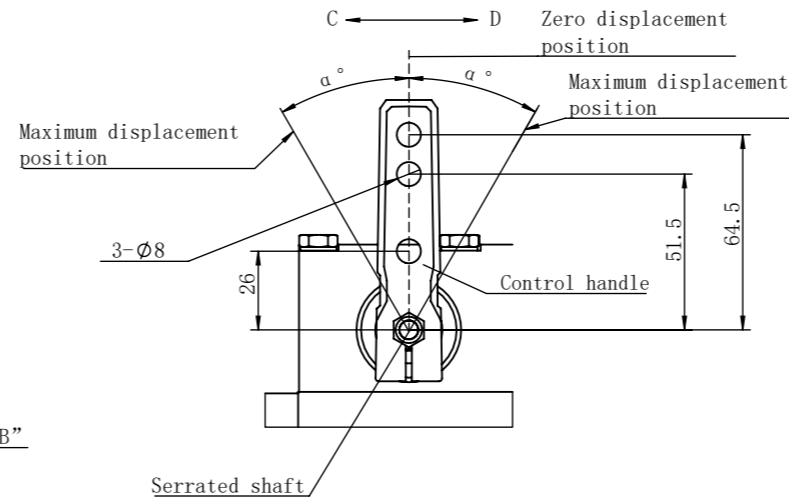
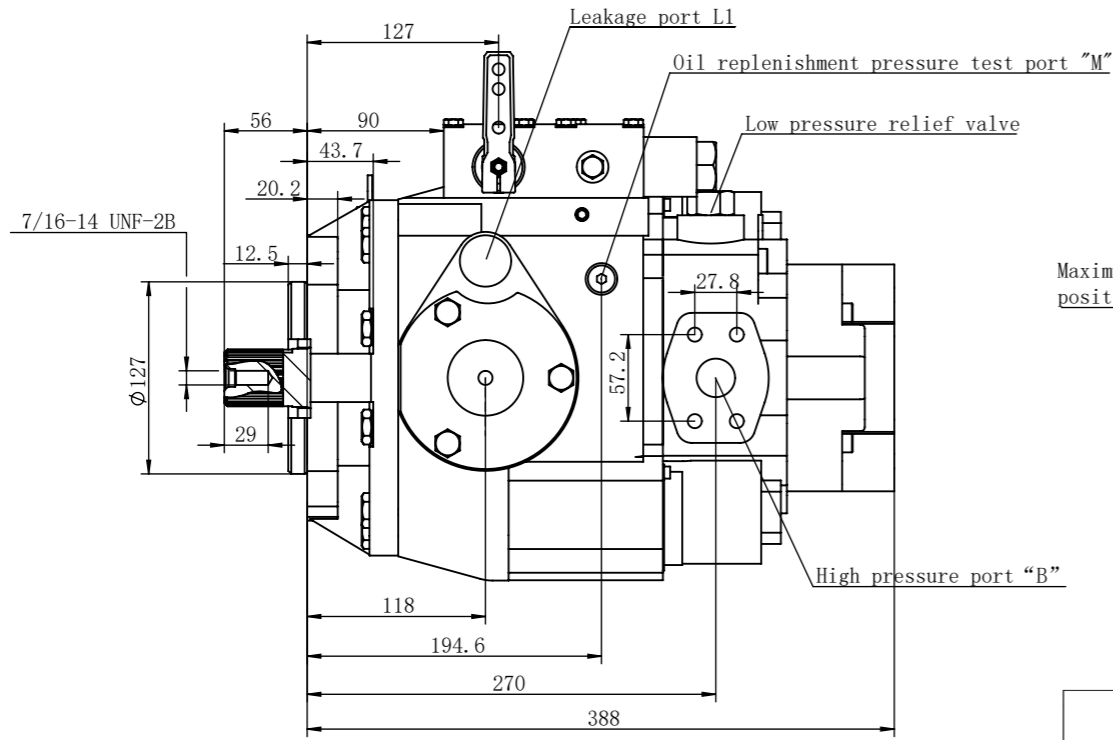


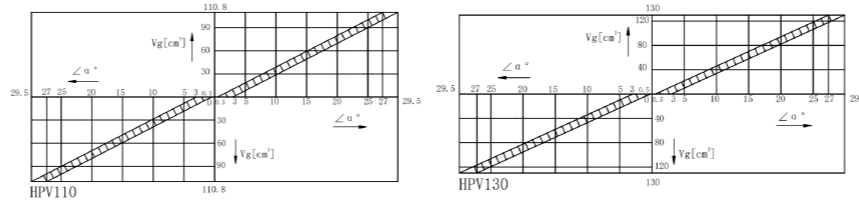
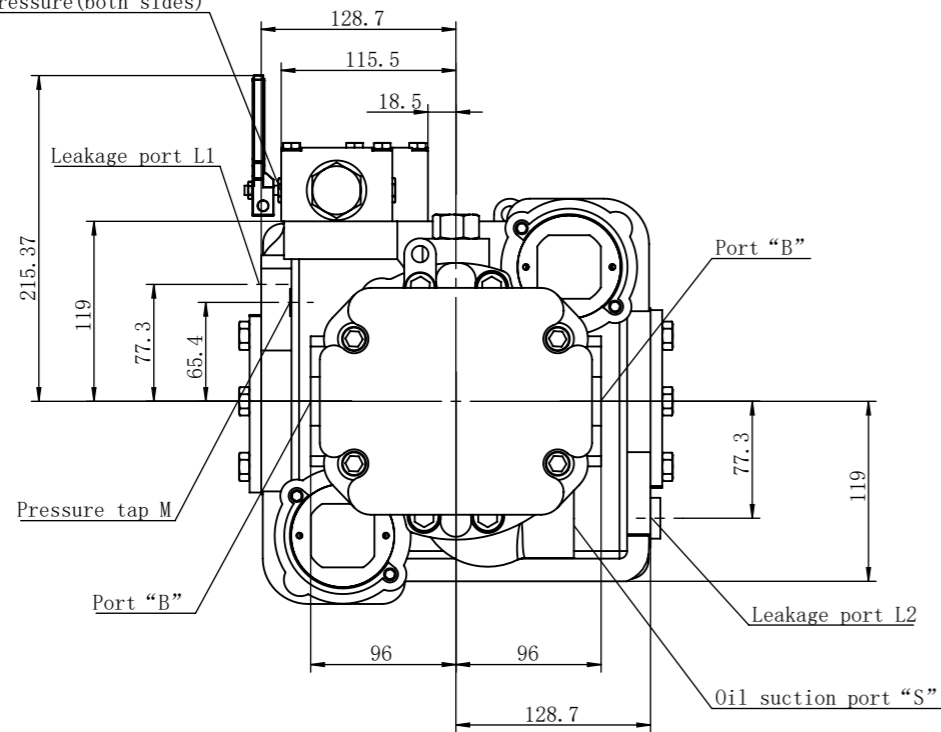
HPV110/130-MA-R/L-23

Pump rotation direction	Control handle Rotation direction	Pressure port Outbound	Pressure port enter
Clockwise (R)	C	A	B
	D	B	A
Counterclockwise (L)	C	B	A
	D	A	B

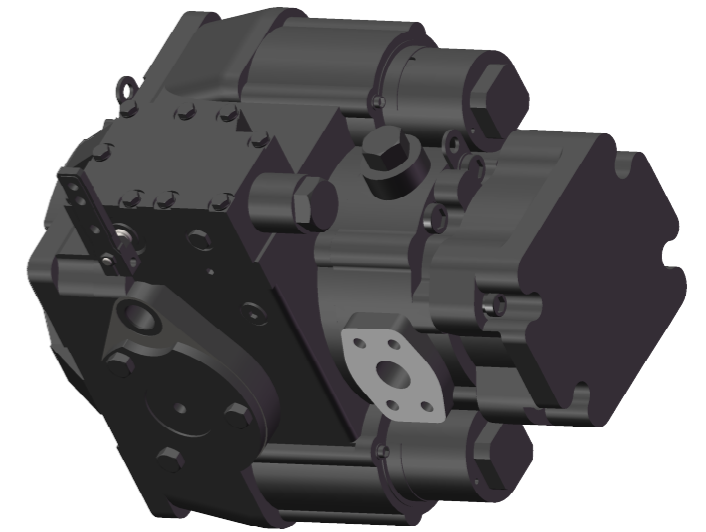
Control handle spline shaft data:
 1/4-20 UNC-2A
 Diametrical pitch: 64/128
 Radial angle varibale: 64
 Standard:SAE 1963
 OD:9.5±0.05
 Teeth:24



Pressure tap-
servo cylinder pressure(both sides)



EP	Electric Propprtional servo control	
HS	Hydraulic servo control	



technical requirement	
Minimum speed	500r/min
maximum speed	2700r/min
Rated working pressure	30Mpa
Maximum working pressure	42Mpa

Propeller shaft spline			Displacement	Oil suction pressure	Oil suction displacement	Ports A、B		Ports L1、L2	Port S	Port M
Teeth	Z	23	110/130 ml/r	1.6-1.8 Mpa	28	M12-7H Depth: 25mm		7/8-14 UNF-2B	7/16-20 UNF-2B	
Radial pitch	M	16/32				A6 mm[in]	A7 mm[in]			
Pressure angle	a	30°				57.2	27.8			
Dividing circle diameter	D	Ø36.52								



Product model	HPV110/130-MA-R/L-23	
Product name	Closed axial piston pump	
Date	Weight (kg)	Proportion
	87.5	1:5
Shandong Highland Hydraulic Seiko Co.,Ltd		