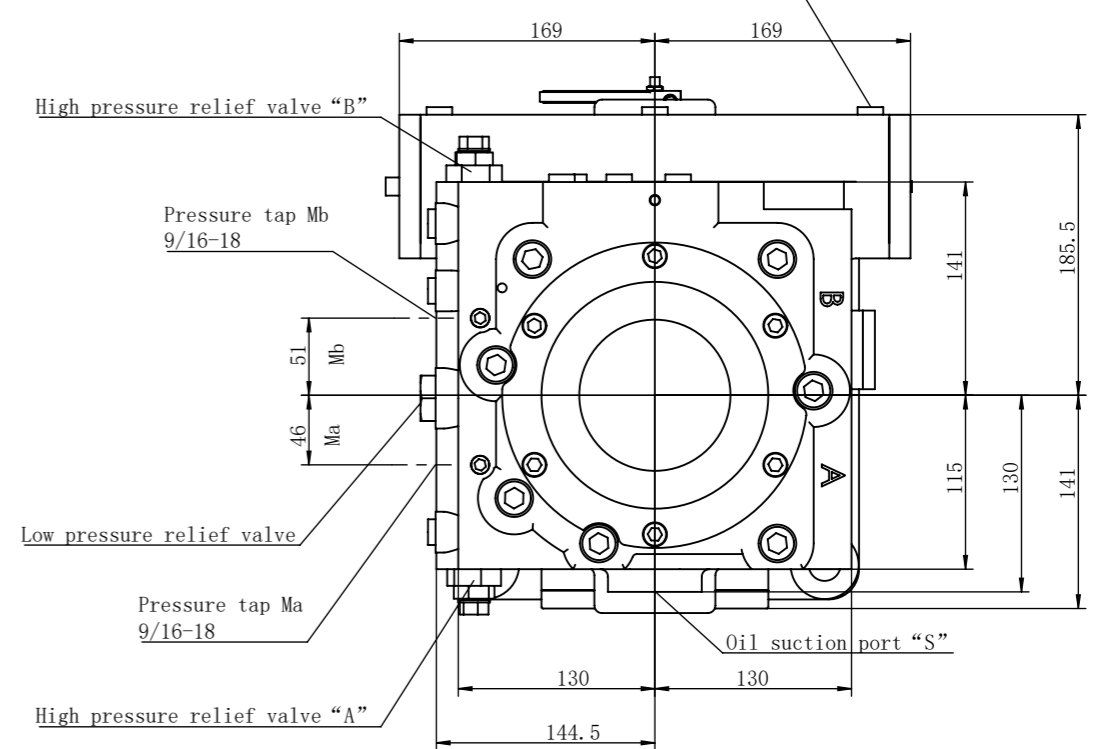
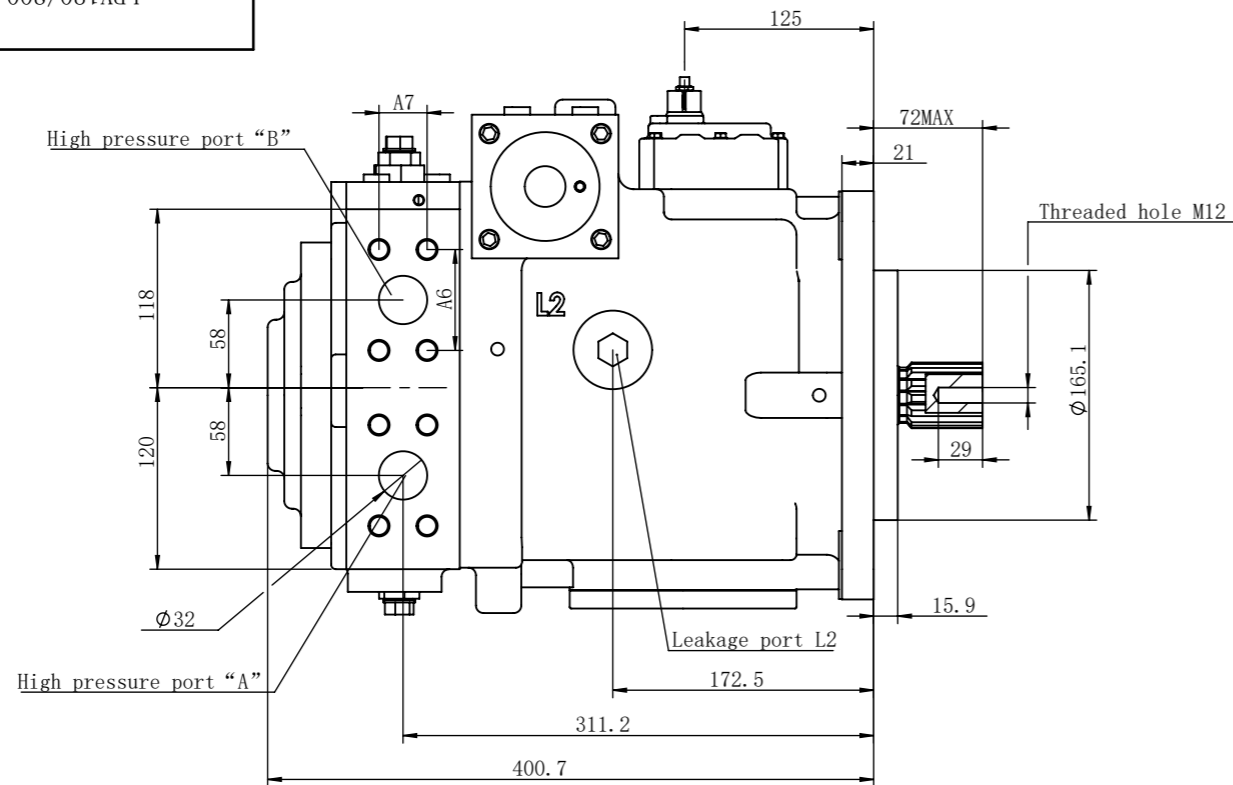


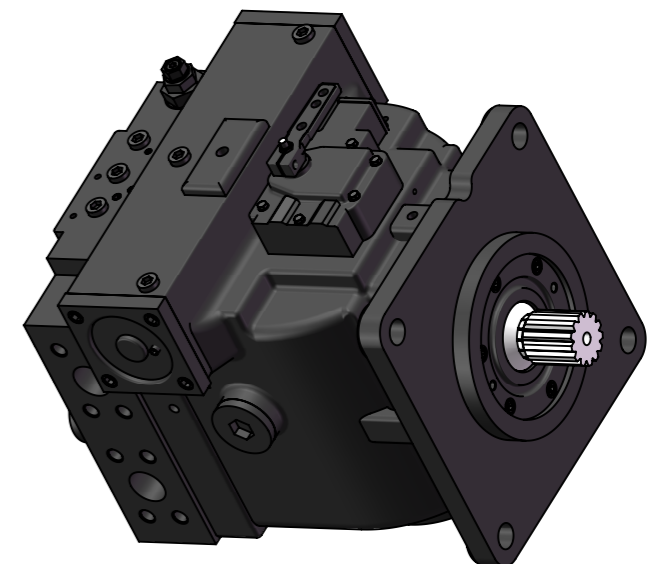
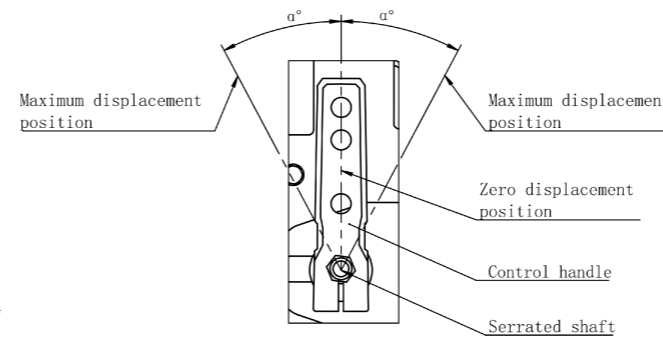
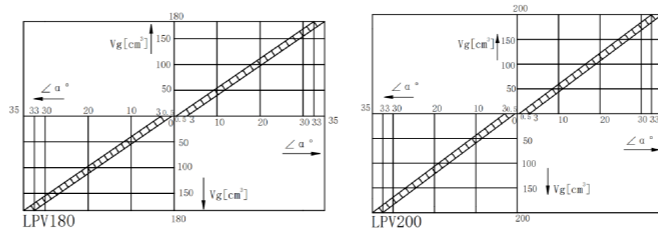
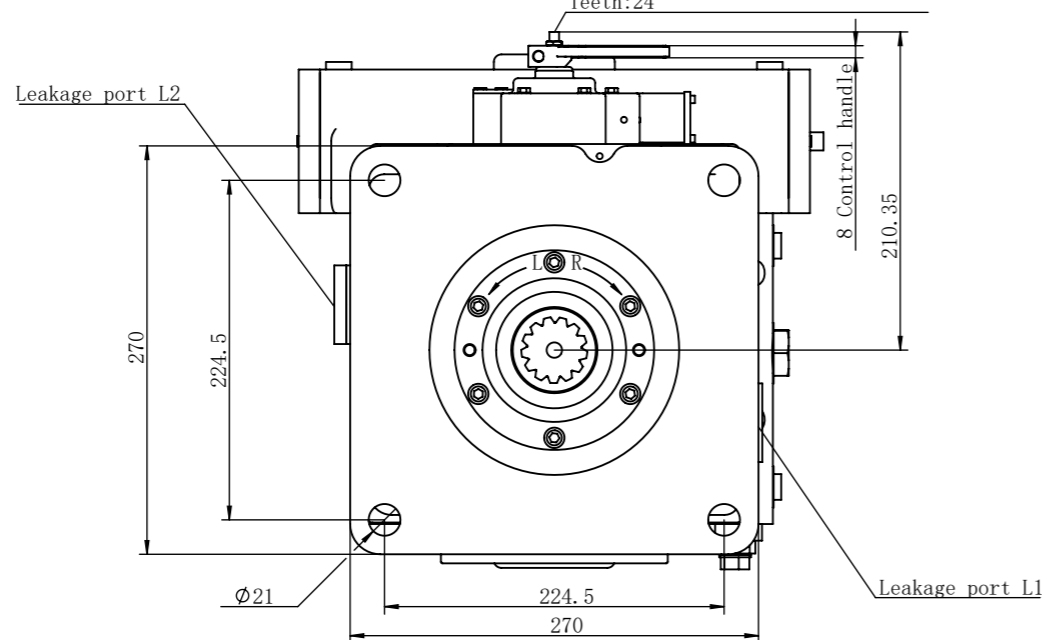
NN-81/L2-L/R-VW-002/081A1T

Pressure tap-servo cylinder pressure(both sides)
9/16-18



technical requirement	
Minimum speed	500r/min
maximum speed	3500r/min
Rated working pressure	30Mpa

EP	Electric Propprtional servo control	
HS	Hydraulic servo control	



Propeller shaft spline				Displacement	Oil suction pressure	Oil suction displacement	Ports A, B		Ports L1, L2	Port S	High pressure relief valve A, B
Teeth	Z	27	13				M12 Depth: 25mm	A6 mm[in]			
Radial pitch	M	16/32	8/16	180/200 ml/r	1.8-2.4 Mpa	55	66.7	31.8	1 5/16-12	1 5/8-12	32Mpa 35Mpa 40Mpa
Pressure angle	a	30°	30°								
Dividing circle diameter	D	Ø42.86	Ø41.38								



Product model	LPV180/200-MA-R/L-27/13-NN	
Product name	Closed axial piston pump	
Date	Weight (kg)	Proportion
	144	1:5
Shandong Highland Hydraulic Seiko Co., Ltd		