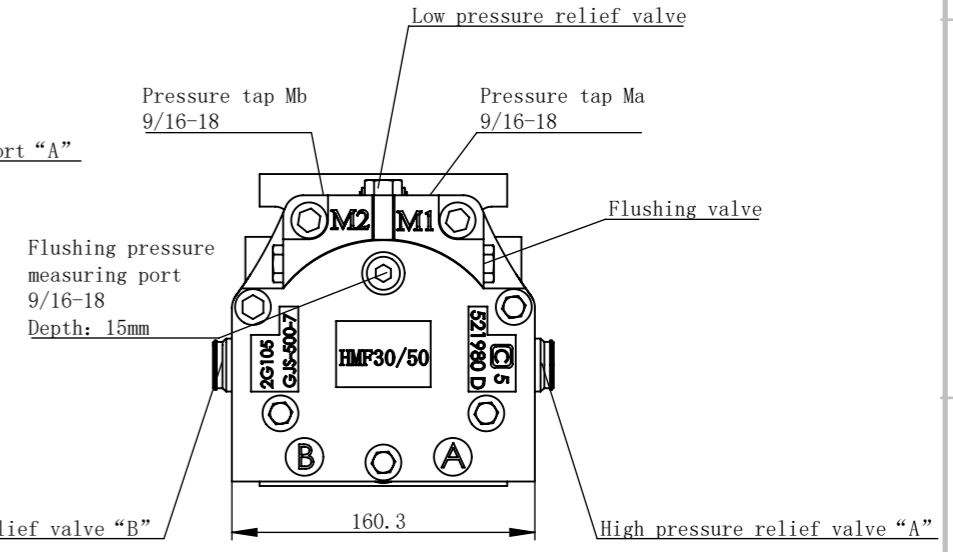
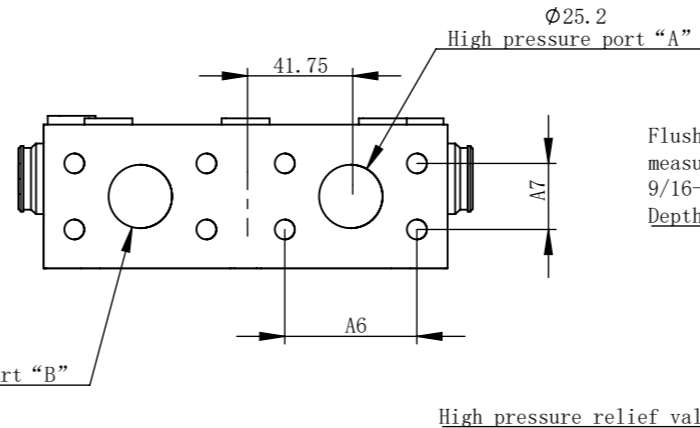
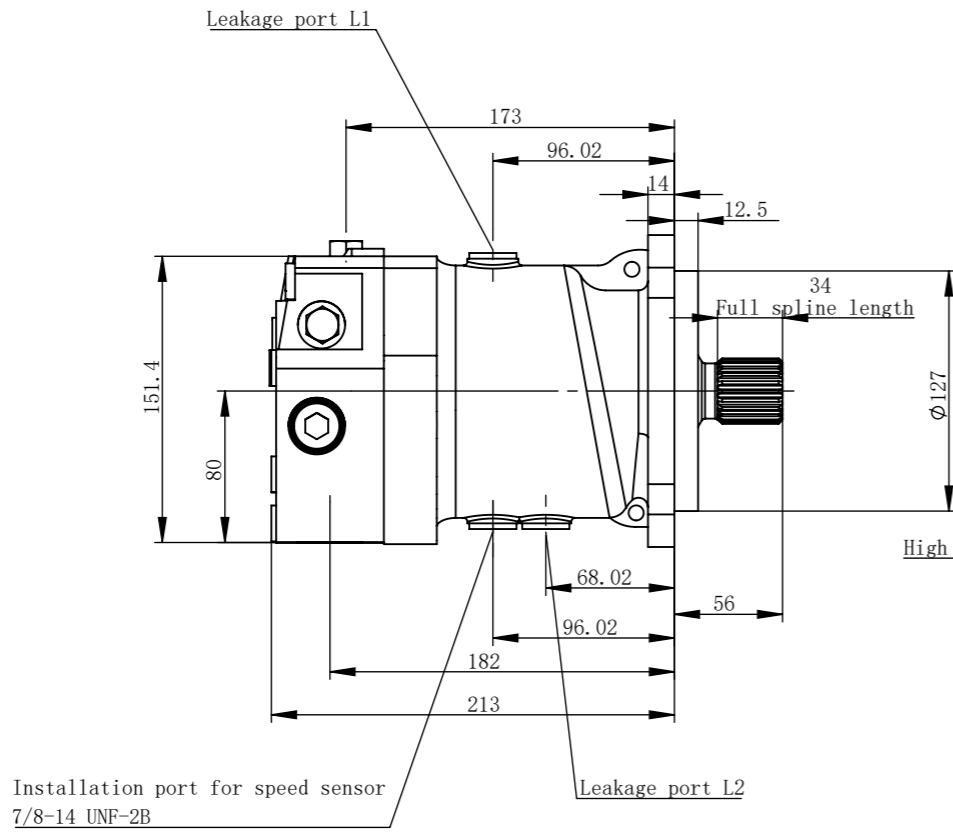
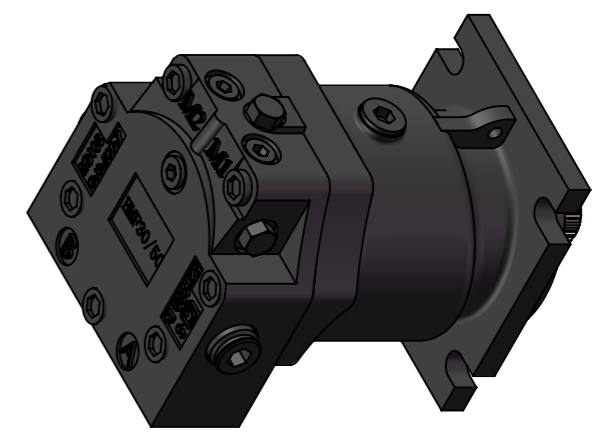
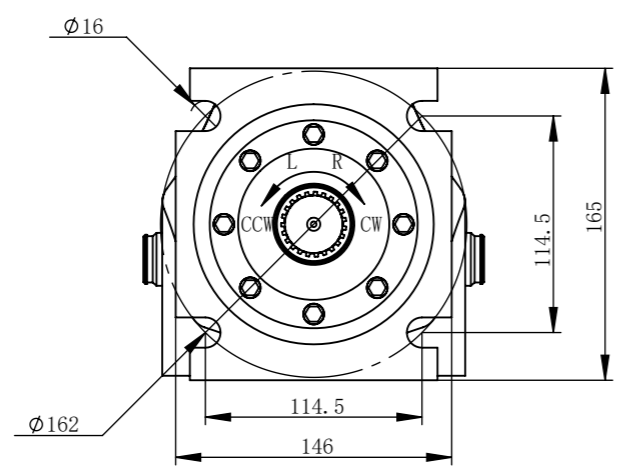


HMF30/50-21




technical requirement	
Minimum speed	500r/min
maximum speed	3500r/min
Rated working pressure	30Mpa

Motor shaft rotation direction		
	Port A	Port B
Clockwise CW	out	enter
Counterclockwise CCW	enter	out



Propeller shaft spline			Displacement	Ports A、B		Ports L1、L2	High pressure relief valve A、B
Teeth	Z	21		3/8-16 UNC-2B Depth: 25mm			
Radial pitch	M	16/32	30/50 ml/r	A6	A7	7/8-14 UNF-2B	32Mpa 35Mpa 40Mpa
Pressure angle	a	30°		mm[in]	mm[in]		
Dividing circle diameter	D	Ø33.34		52.4	26.2		

	Product model		HMF30/50-21
	Product name		Closed axial piston motor
Date	Weight (kg)	Proportion	Shangdong Highland Hydraulic Seiko Co.,Ltd
	23	1:5	