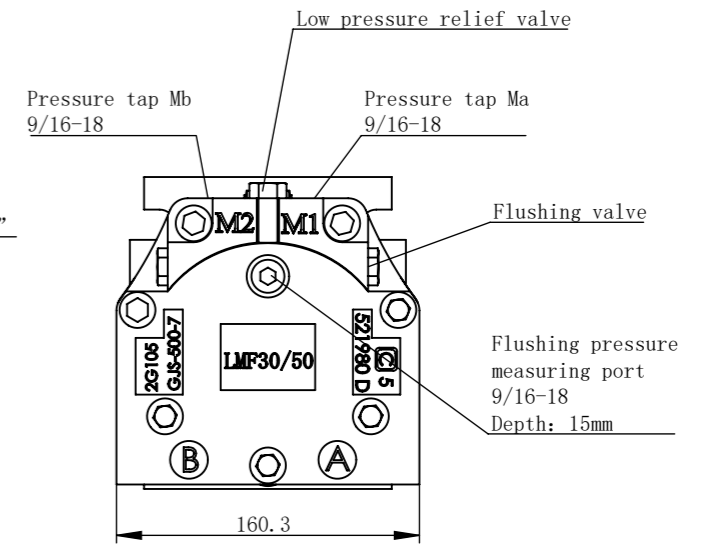
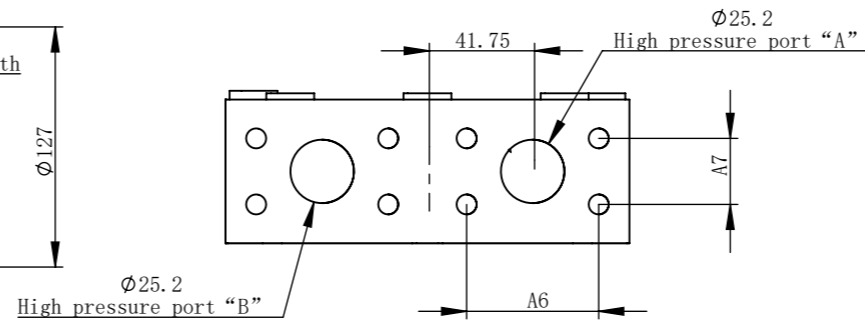
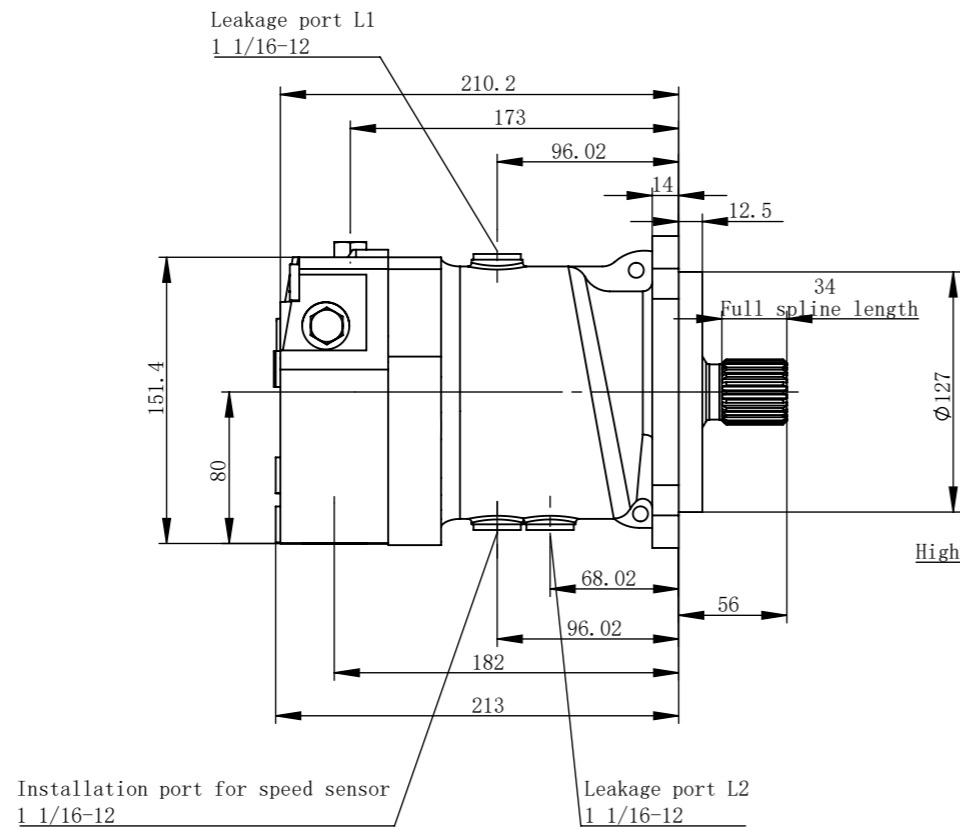
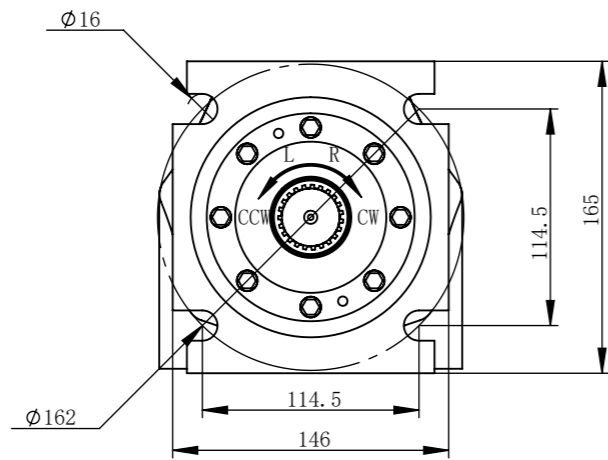


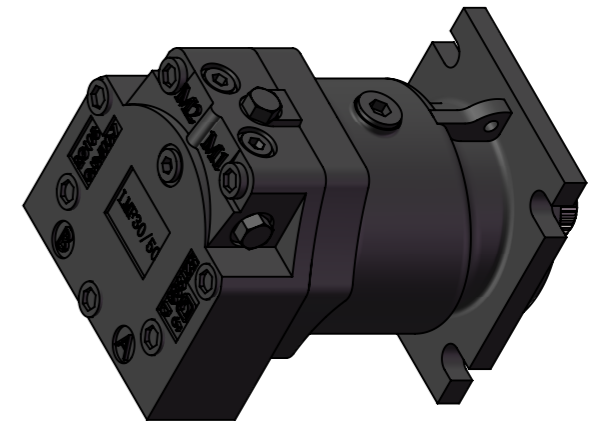
LMF30/50-21/14



technical requirement	
Minimum speed	500r/min
maximum speed	3500r/min
Rated working pressure	30Mpa



Motor shaft rotation direction		
	Port A	Port B
Clockwise CW	out	enter
Counterclockwise CCW	enter	out



Propeller shaft spline				Displacement 30/50 ml/r	Ports A、B		Ports L1、L2 1 1/16-12
Teeth	Z	21	14		M10 Depth: 25mm		
Radial pitch	M	16/32	12/24		A6 mm[in]	A7 mm[in]	
Pressure angle	a	30°	30°		52.4	26.2	
Dividing circle diameter	D	∅33.34	∅29.63				



Product model	LMF30/50-21/14	
	Product name	
Date	Weight (kg)	Proportion
	23	1:5
Shandong Highland Hydraulic Seiko Co., Ltd		