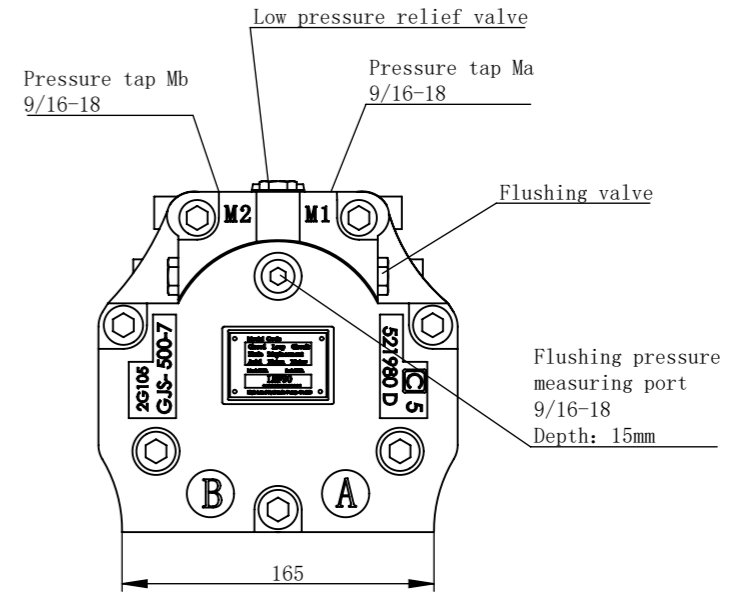
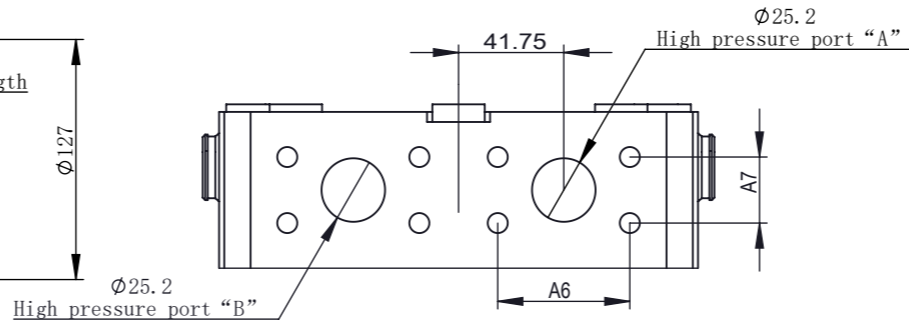
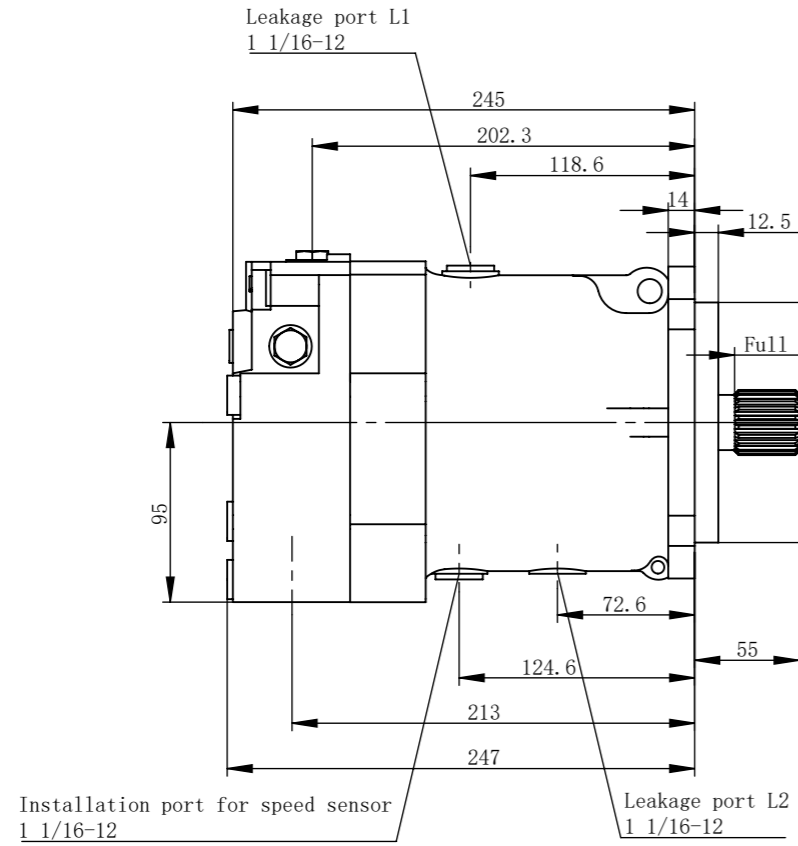
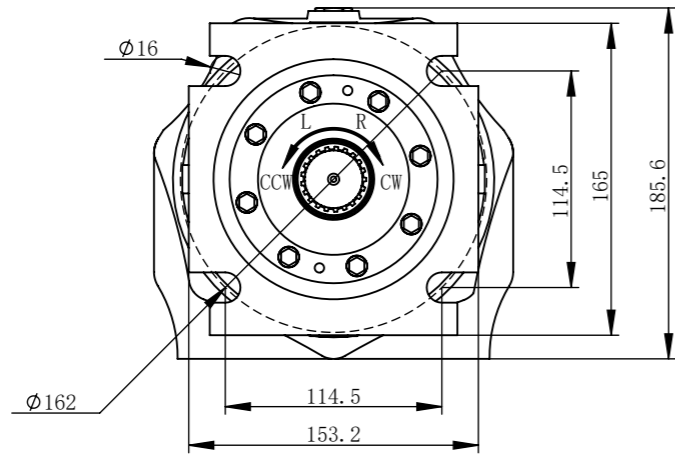


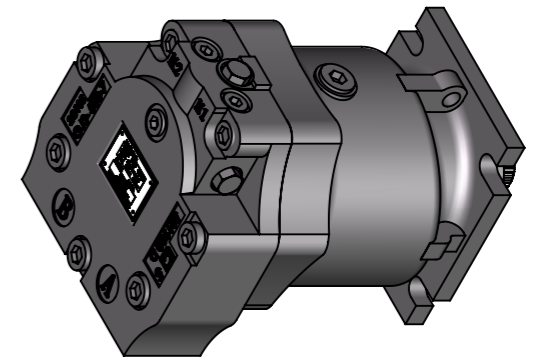
LMF70/90-21/14



technical requirement	
Minimum speed	500r/min
maximum speed	3200r/min
Rated working pressure	30Mpa



Motor shaft rotation direction		
	Port A	Port B
Clockwise CW	out	enter
Counterclockwise CCW	enter	out



Propeller shaft spline				Displacement	Ports A, B		Ports L1, L2
Teeth	Z	21	14		70/90 ml/r	M12 Depth: 25mm	
Radial pitch	M	16/32	12/24	A6		A7	
Pressure angle	a	30°	30°	57.2		27.8	
Dividing circle diameter	D	∅33.34	∅29.63				

	Product model		LMF70/90-21/14
	Product name		Closed axial piston motor
Date	Weight (kg)	Proportion	Shandong Highland Hydraulic Seiko Co., Ltd
	33	1:5	