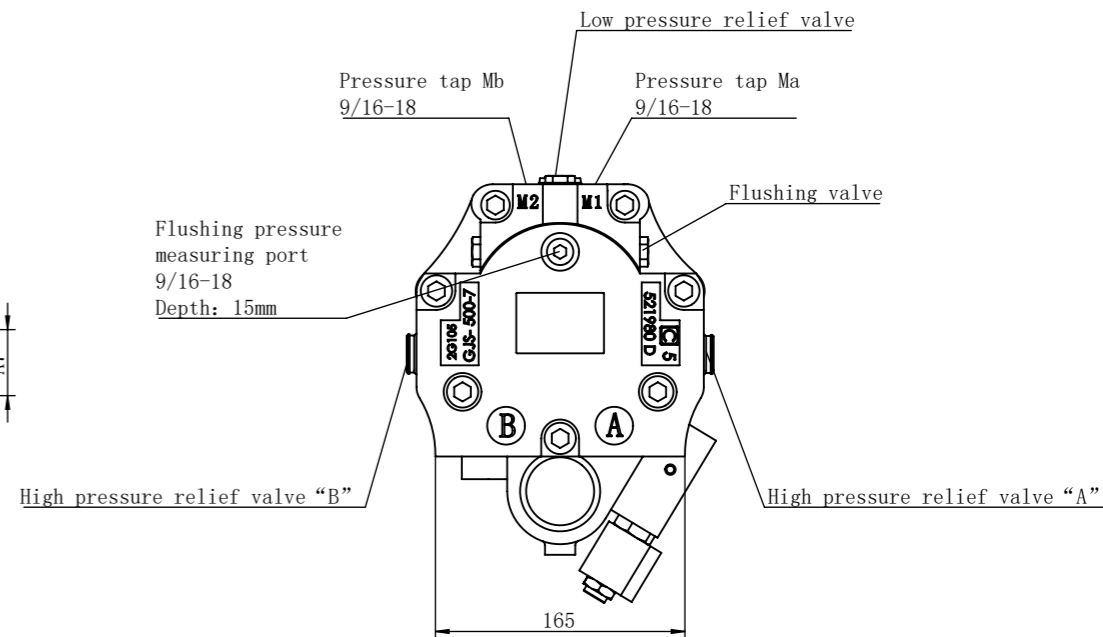
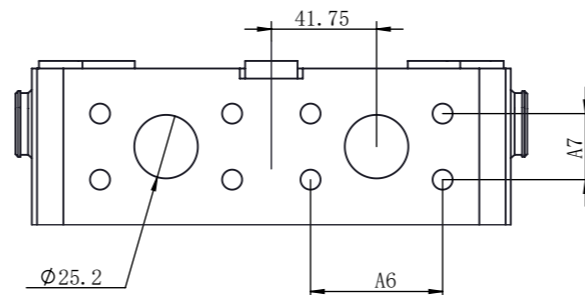
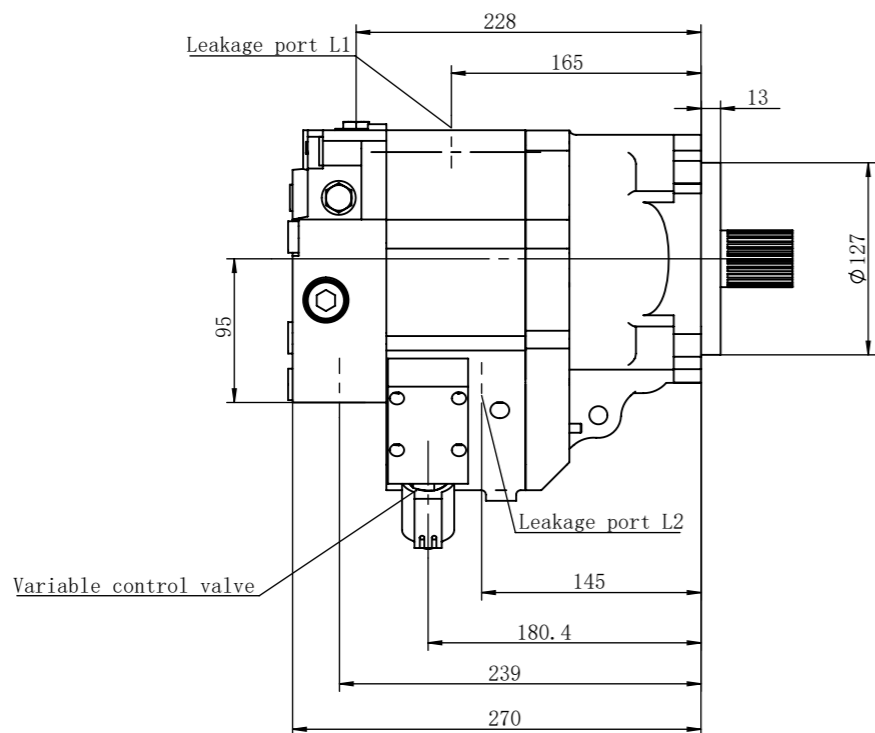
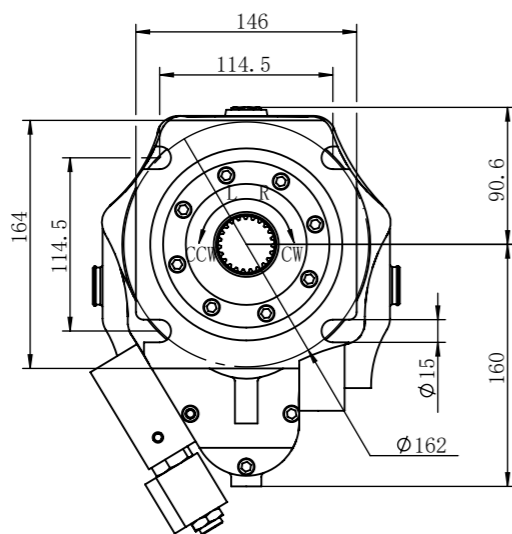


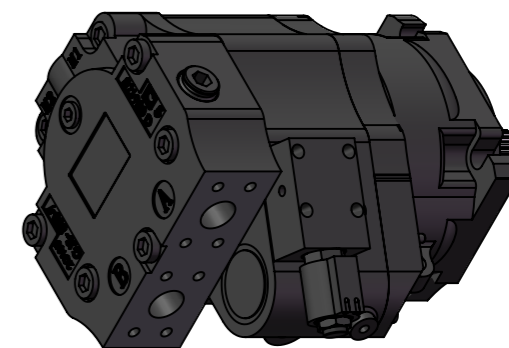
LMV70/90-21



technical requirement	
Minimum speed	500r/min
maximum speed	3200r/min
Rated working pressure	30Mpa



Motor shaft rotation direction		
	Port A	Port B
Clockwise CW	out	enter
Counterclockwise CCW	enter	out



Propeller shaft spline						Displacement 70/90 ml/r	Ports A、B		Ports L1、L2 7/8-14 UNF-2B	High pressure relief valve A、B 32Mpa 35Mpa 40Mpa
Teeth	Z	21	23	14	18		3/8-16 UNC-2B Depth: 25mm			
Radial pitch	M	16/32	16/32	12/24	12/24		A6 mm[in]	A7 mm[in]		
Pressure angle	a	30°	30°	30°	30°		52.4	26.2		
Dividing circle diameter	D	∅33.34	∅36.5	∅29.63	∅37.8					



Product model	LMV70/90-21	
Product name	Closed variable piston motor	
Date	Weight (kg)	Proportion
	43	1:5
Shandong Highland Hydraulic Seiko Co., Ltd		